

# SHANTUI

## SE220LC

Crawler Excavator



Engine Model: Cummins B5.9-C  
Gross Power: 112 kW/1950 rpm  
Operating Weight: 22,800 kg  
Bucket Capacity: 1.05 m<sup>3</sup>

Earthwork Expert  
more length and more stability

# SE220LC SPECIFICATIONS

## ENGINE

Model	Cummins B5.9-C
Type	Water cooled, turbocharged
No. of cylinder	6
Emission	Tier 2 / Stage II
Displacement	5.9L
Power output	112kW/1950rpm

## HYDRAULIC SYSTEM

Type	Variable piston pump
Max. discharge flow	2x218L/min

## DIGGING FORCE (ISO6015)

Bucket	127kN
Arm	92.5kN

## BUCKET

Type	Backhoe bucket
Capacity	0.45~1.2(1.05)m <sup>3</sup>
Width	1342mm

## TRAVEL SYSTEM

Type	Axial variable plunger motor
Track roller	2×9
Carrier roller	2×2
Track shoe	2×49
Travel speed	3.2/4.7km/h
Max. Drawbar pull	203kN
Gradeability	70% (35°)

## SWING SYSTEM

Swing motor type	Swash plate plunger motor
Swing speed	0-10.2r/min
Brake type	Pressure release mechanical braking

## REFILL CAPACITIES & LUBRICATIONS

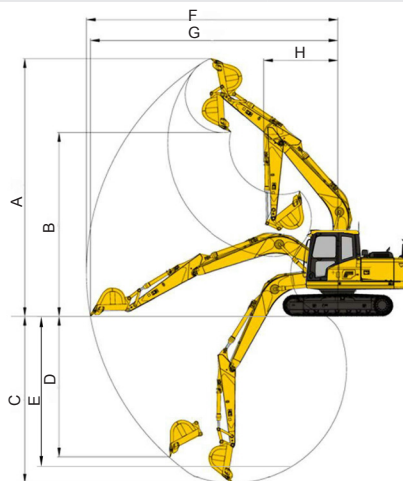
Fuel tank	330L
Cooling system	28L
Engine oil	20L
Hydraulic oil tank	190L
System Capacity	400L

## OPERATING WEIGHT AND GROUND PRESSURE

Shoe width	800mm
Ground pressure	35.3kPa
Operating weight	22800kg

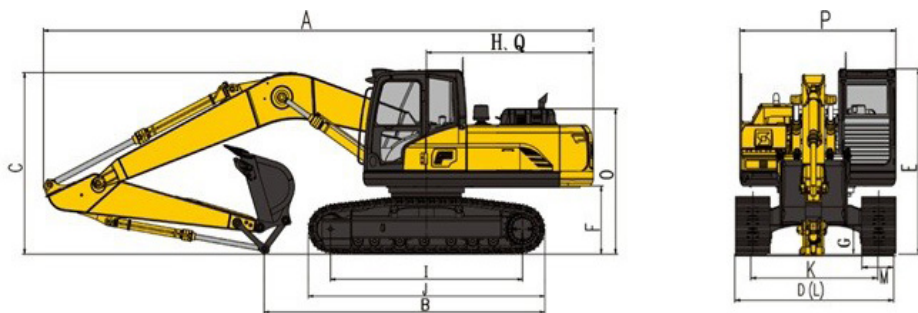
## SCOPE OF WORK (mm) (BOOM: 5700 mm ARM: 2925 mm)

A	Max. digging height	10075
B	Max. dumping height	7165
C	Max. digging depth	6515
D	Max. vertical digging depth	5795
E	Max. depth cut for 2500mm level bottom	6320
F	Max. digging distance	9865
G	Max. digging radius at ground level	9685
H	Min. swing radius of work equipment	2970



## DIMENSIONS (mm)

A	Overall length	9615
B	Ground contact length (Transportation)	5025
C	Overall height (to top of boom)	3035
D	Overall width	3180
E	Overall height (to top of cab)	3045
F	Counter weight ground clearance	1055
G	Ground clearance	466
H	Tail swing radius	2925
I	Tread	3655
J	Track length	4460
K	Track gauge	2380
L	Track width	3180
M	Shoe width	800
O	Bonnet height	2375
P	Revolving frame width	2725
Q	Distance from swivel center to tail	2920



\* THE SPECIFICATIONS ARE SUBJECT TO CHANGE WITHOUT NOTICE. THE PICTURES MAY INCLUDE OPTIONS. THE ACTUAL COLOR & APPEARANCE OF THE PRODUCT MAY DIFFER FROM WHAT IS SHOWN.



Shantui Social

**SHANTUI CONSTRUCTION MACHINERY CO., LTD.**

ADD: No. 58, G327 Highway, Jining City, Shandong, CHINA

TEL: +86-537-2909369

FAX: +86-537-2311219

EMAIL: trade@shantui.com

WEB: www.shantui.com

**SHANTUI**

LET'S MAKE CONSTRUCTION EASIER